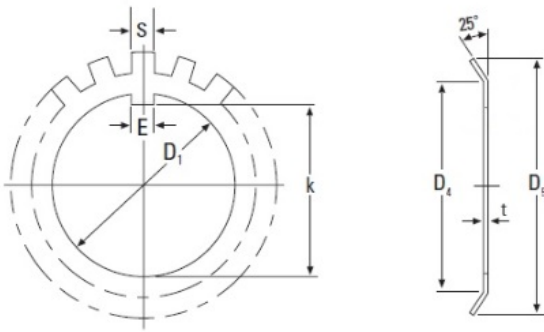




# NTN BEARING CORP.OF AMERICA



## Timken MB 11 Bearings

Bearing No. MB 11

D <sub>1</sub>	55 mm
k	52.5 mm
E	8 mm
t	1.5 mm
S	7 mm
D <sub>4</sub>	67 mm
D <sub>5</sub>	81 mm
No. of Tangs	17
Weight	22 g
Locknut	KM 11

MB 11 Bearing 2D drawings and 3D CAD models