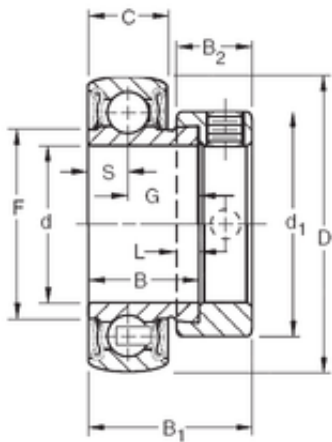




# NTN BEARING CORP.OF AMERICA

## 15,875 mm x 35 mm x 15,88 mm Timken RAL010NPPB Ball Insert Bearings



Bearing No. RAL010NPPB

Size	15.875x35x15.88 mm
Bore Diameter	15,875 mm
Outer Diameter	35 mm
Width	15,88 mm
d	15,875 mm
D	35 mm
B	15,88 mm
C	11 mm
d1	25,4 mm
B1	23,8 mm
B2	11,1 mm
F	20,07 mm
G	10,373 mm
L	4 mm
S	5,502 mm
Weight	0,06 Kg
Basic dynamic load rating (C)	7,5 kN

RAL010NPPB Bearing 2D drawings and 3D CAD models