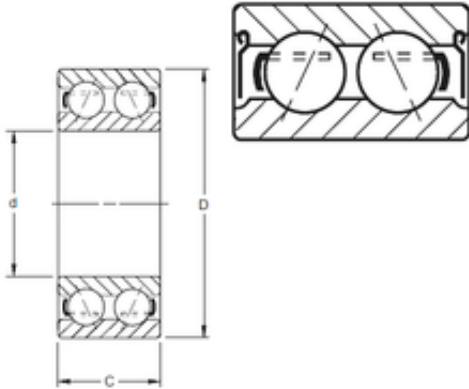




# NTN BEARING CORP.OF AMERICA

## 17 mm x 47 mm x 22,25 mm Timken 5303KDD Angular Contact Bearings

Bearing No. 5303KDD



5303KDD Bearing 2D drawings and 3D CAD models

|                               |                |
|-------------------------------|----------------|
| Size                          | 17x47x22.25 mm |
| Bore Diameter                 | 17 mm          |
| Outer Diameter                | 47 mm          |
| Width                         | 22,25 mm       |
| d                             | 17 mm          |
| D                             | 47 mm          |
| B                             | 22,25 mm       |
| C                             | 22,25 mm       |
| Angle ( ° )                   | 20 °           |
| Weight                        | 0,191 Kg       |
| Basic dynamic load rating (C) | 22,6 kN        |